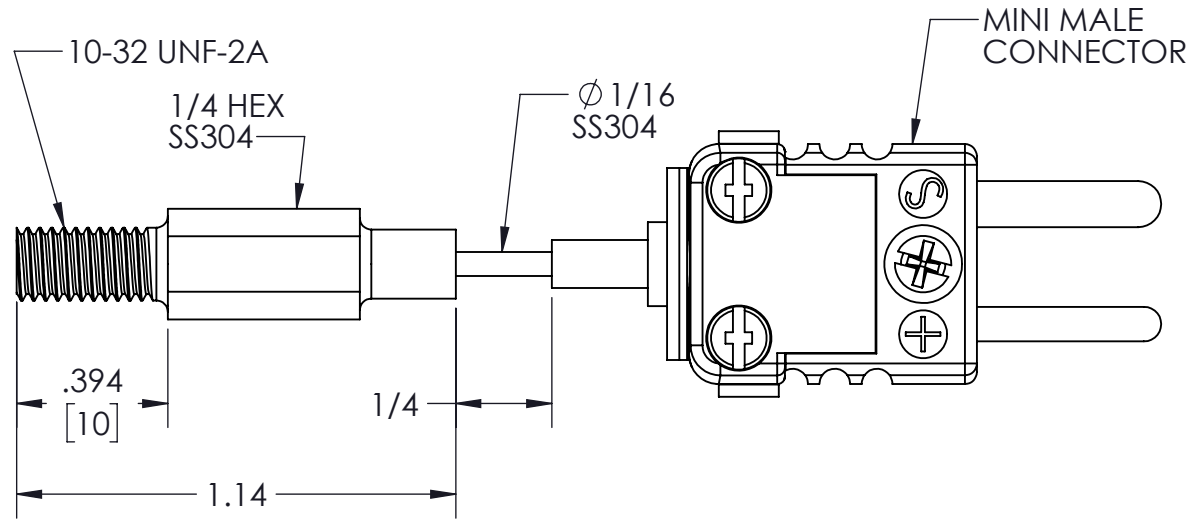



THE SUBJECT MATTER DISCLOSED HEREIN EMBODIES PROPRIETARY INFORMATION WHICH IS CONFIDENTIAL PROPERTY OF THE NANMAC CORP. NONE OF WHICH SHALL BE COPIED REPRODUCED DISCLOSED TO OTHERS PUBLISHED OR USED IN WHOLE OR IN PART FOR ANY PURPOSE OTHER THAN THAT FOR WHICH IT IS BEING MADE AVAILABLE WITHOUT THE EXPRESS WRITTEN PERMISSION OF A DULY AUTHORIZED AGENT OF THE COMPANY THIS DOCUMENT IS THE PROPERTY OF THE NANMAC CORPORATION AND IS TO BE RETURNED TO THE COMPANY ON DEMAND

REVISIONS

REV.	DESCRIPTION	DATE	APPROVED
A	INITIAL RELEASE	4/7/2021	KB

# TYPE S UNGROUNDDED JUNCTION



UNLESS OTHERWISE SPECIFIED DIMENSIONS ARE IN INCHES	DRAWN	JG	4/7/21	 <b>TITLE:</b> E6 ASSEMBLY
	CHECKED	KB	4/7/21	
	ENG APPR.	KB	4/7/21	
	MFG APPR.			
	Q.A.			
MATERIAL	AS SPECIFIED			<b>SIZE</b> A <b>DWG. NO.</b> 21337 <b>REV</b> A
FINISH	N/A			
DO NOT SCALE DRAWING				