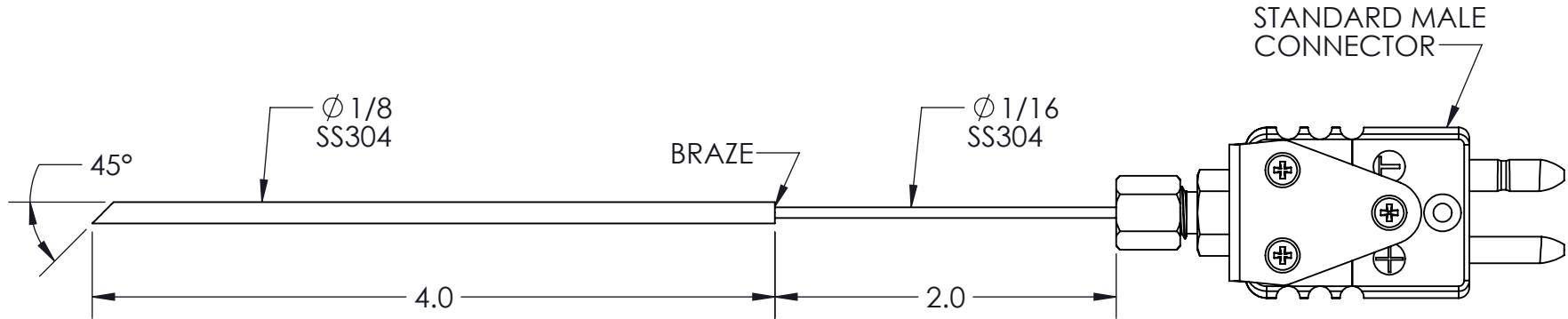



THE SUBJECT MATTER DISCLOSED HEREIN EMBODIES PROPRIETARY INFORMATION WHICH IS CONFIDENTIAL PROPERTY OF THE NANMAC CORP. NONE OF WHICH SHALL BE COPIED REPRODUCED DISCLOSED TO OTHERS PUBLISHED OR USED IN WHOLE OR IN PART FOR ANY PURPOSE OTHER THAN THAT FOR WHICH IT IS BEING MADE AVAILABLE WITHOUT THE EXPRESS WRITTEN PERMISSION OF A DULY AUTHORIZED AGENT OF THE COMPANY THIS DOCUMENT IS THE PROPERTY OF THE NANMAC CORPORATION AND IS TO BE RETURNED TO THE COMPANY ON DEMAND

REVISIONS			
REV.	DESCRIPTION	DATE	APPROVED
A	INITIAL RELEASE	11/3/2020	KB

TYPE T UNGROUNDED JUNCTION



NOTE:
A10-3-SS COMPRESSION FITTING SUPPLIED LOOSE

UNLESS OTHERWISE SPECIFIED DIMENSIONS ARE IN INCHES		NAME	DATE		
		DRAWN	JG	11/3/20	TITLE: E12 ASSEMBLY W/ 45° TIP
		CHECKED	KB	11/3/20	
		ENG APPR.	KB	11/3/20	
		MFG APPR.			
		Q.A.			
		COMMENTS:			
MATERIAL	AS SPECIFIED				SIZE
FINISH	N/A				DWG. NO.
DO NOT SCALE DRAWING					A
					21294
					A